

Laing Thermotech Series E1 and E3 Plastic AC Electronically Commutated Spherical Motor Centrifugal Pumps



Applications

Specifically designed for the following uses:

- Electronics Cooling
- Water Circulation
- Chiller Systems
- Liquid Transfer
- Ozone Treatment
- General Purpose Pumping

Specifications

Pump:

- Max Capacities: 6 GPM
- Max Head: 13'
- Pipe Connections:
 - 1/2" x 1/2" and 3/4" x 3/4" Barb Connection
 - 1/2" MPT
 - 1/2" Barb x 1/2" MPT
- Maximum Working Pressure: 50 PSI
- Maximum Temperature: 140° F
- Rotation: counter clockwise when viewed from the motor end

Motor:

- Canned Spherical Motor Type
- World Voltage 100-240 Volt 50/60 Hz Cycle
- E1 12 Watts Max, E3 28 Watts Max
- Automatic Overload Protection
- Low In-Rush Current
- Dry Run Protection

Features

Compact Design:

Close coupled, space saving design provides easy installation.

Mounting:

Pump can be mounted horizontally or vertically with motor end down.

Motor Bracket:

Powder coated steel bracket or integrated thermoplastic bracket on 3/4" x 3/4" barb only.

Construction:

Available in 316SS or thermoplastic.

Ceramic Bearing Ball and Carbon Bearing Cap

High density ceramic bearing ball and graphite impeller bearing cap designed for high efficiency and long life.

Impeller:

Highly efficient, open or enclosed, and dynamically balanced impeller with carbon bearing for smooth ultra quiet operation.

Casing:

Casing is Volute type thermoplastic construction.

Mechanical Seal:

Unique patented design has no mechanical seal which is a potential leak path.

Motor:

Highly efficient and ultra quiet spherical motor design. Pump is designed for continuous operation. All ratings are within working limits of the motor.

Electronics:

Embedded microprocessor control is self regulating and available with variable speed with PWM input or dial control (potentiometer) on the pump.

Noise level:

Whisper quiet, less than 40 db.

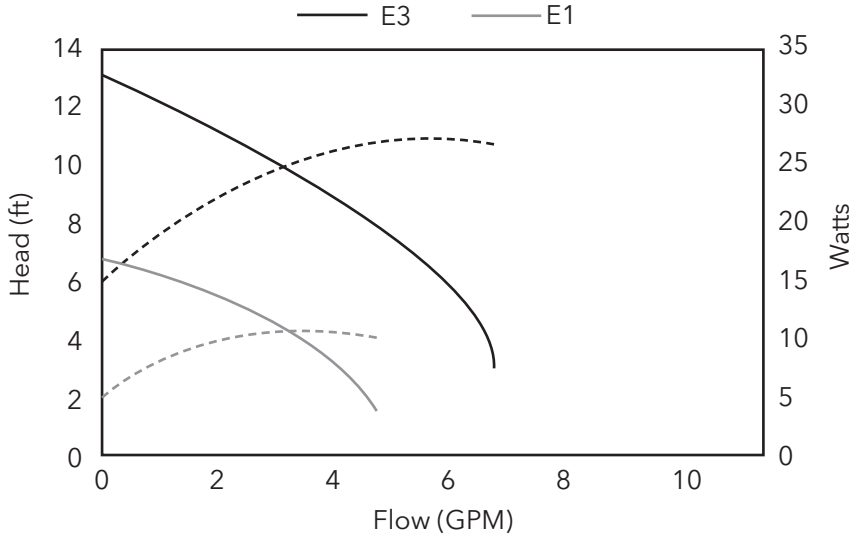
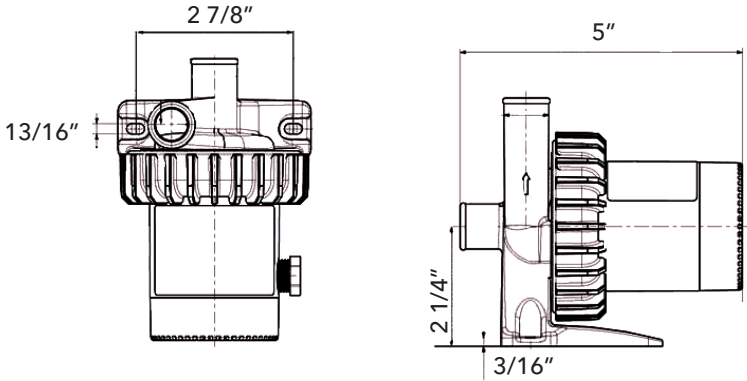
Weight:

Lightweight construction weighs less than 2lbs.

Laing Thermotech Series E1 and E3 Plastic Specifications

Materials of Construction (Wetted Parts)

Part	Materials
Pump Housing	Polyphenylene Oxide (PPO)
"O" Ring	EPDM or Viton
Impeller	Polyphenylene Oxide (PPO)
Bearing	Carbon/Allumina Ceramic
All Other Wetted Parts	316 Stainless Steel



Xylem Inc.
 3878 S. Willow, Suite 104
 Fresno, CA 93725
 Tel: (559) 265-4730 (800) 554-6853
 Fax: (559) 265-4740 (800) 453-7523
www.Laing-thermotech.com

Goulds is a registered trademark of Goulds Pumps, Inc. and is used under license.
 © 2016 Xylem Inc. SS-03R1 June 2016